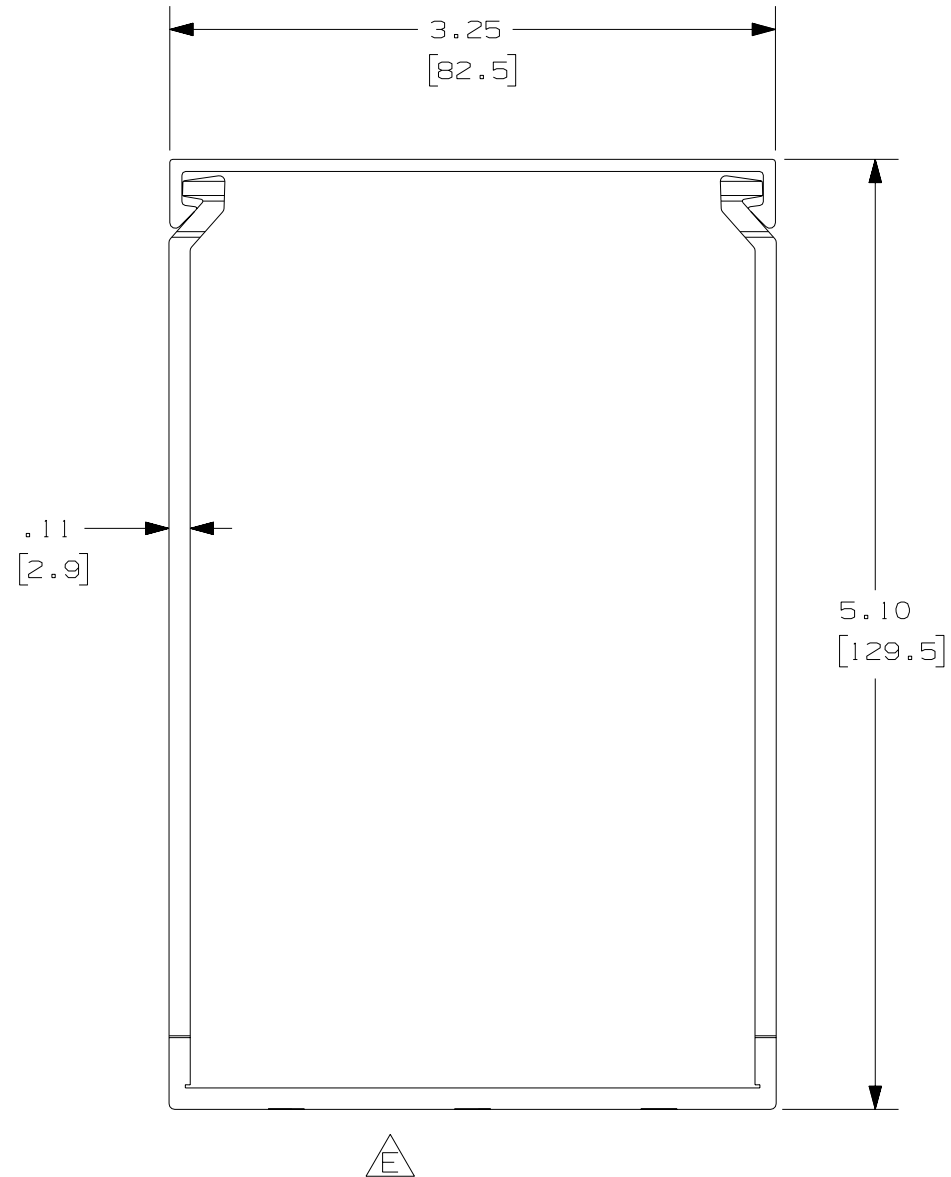
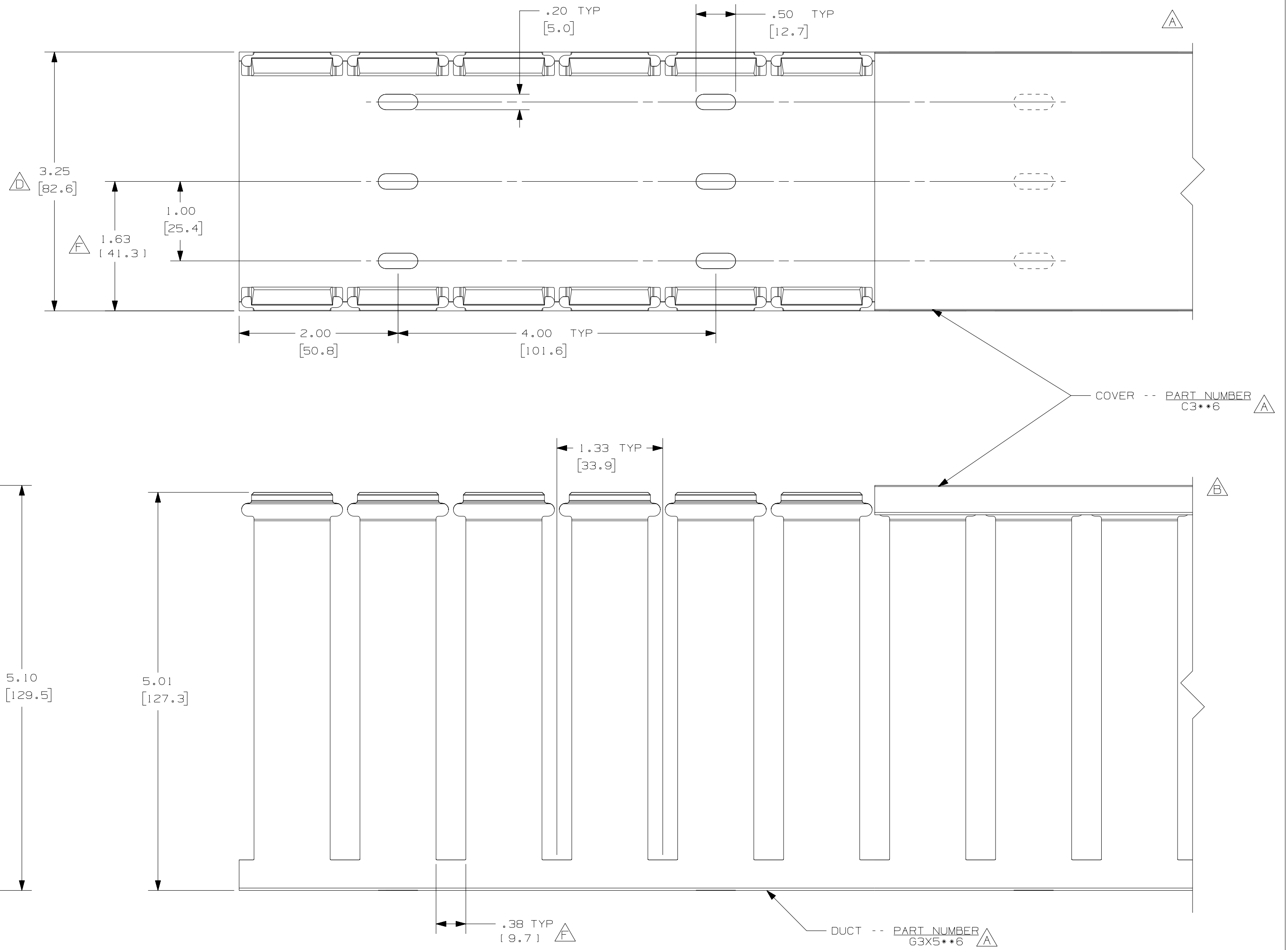


THIS COPY IS PROVIDED ON A RESTRICTED BASIS AND IS NOT TO BE USED IN ANY WAY DETRIMENTAL TO THE INTERESTS OF PANDUIT CORP.



- NOTES:
1. ALL DIMENSIONS ARE REFERENCE ONLY.
 2. DIMENSIONS IN PARENTHESIS ARE METRIC.
 3. THE ** DENOTE COLOR.
 4. DUCT AND COVER ARE AVAILABLE IN 6 FT [1828.8] LENGTHS.

REV	DATE	BY	CHK	DESCRIPTION
2	7-6-07	JCSTMKBE		G. ADDED LENGTH NOTE F. CORRECTED DIMENSION E. DELETED DIMENSION D. ADDED DIMENSION
1	5-21-04	JCSTMKBE		C. CHANGED DRAWING SIZE B. CHANGED VIEW A. ADDED TOP VIEW, NOTES, AND LABELS
R	3-4-03	JCST	JGG	DRAWING RELEASED

CAD FILENAME/LAYERS		D11000RA_DC_00C	
PANDUIT CORP. TINLEY PARK, ILLINOIS			
WIRING DUCT - TYPE G DUCT WITH COVER 3X5 MARKETING DRAWING			
DRWN BY JCST	MAT'L: PVC	SCALE FULL	DWG NO.
DATE 3-4-03			36897-713
CHECKED BY JGG			SIZE C